

M^āo^ōv™

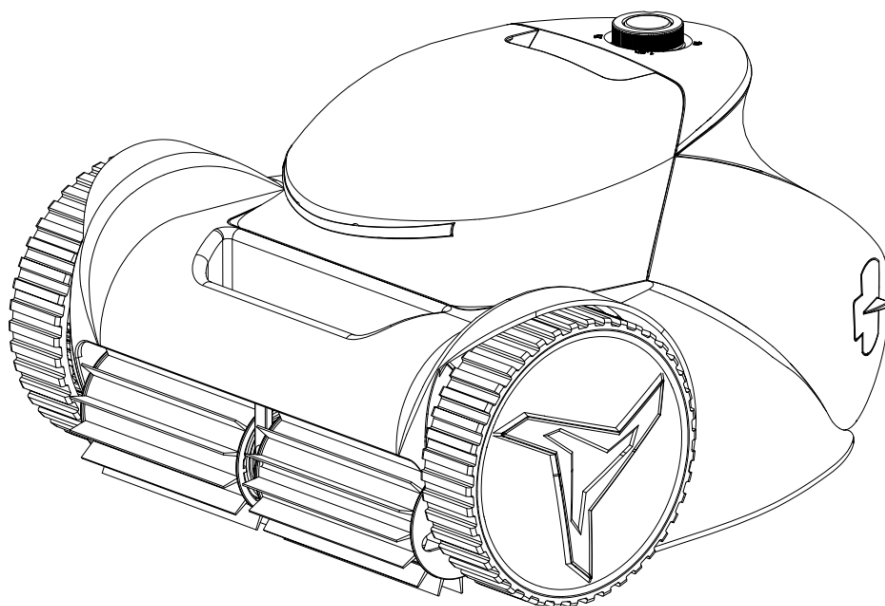
POOL PRODUCTS

Moov Reliant

M30RR/M45RR

Wireless pool cleaner

Please read the manual in real time



A little thank you from us:

Thanks for trusting us!

We know how much your time is valuable and we want to make sure you enjoy as much as possible the swimming season. By choosing Moov Pool Products, you're choosing amongst the most innovative products there is on the market.

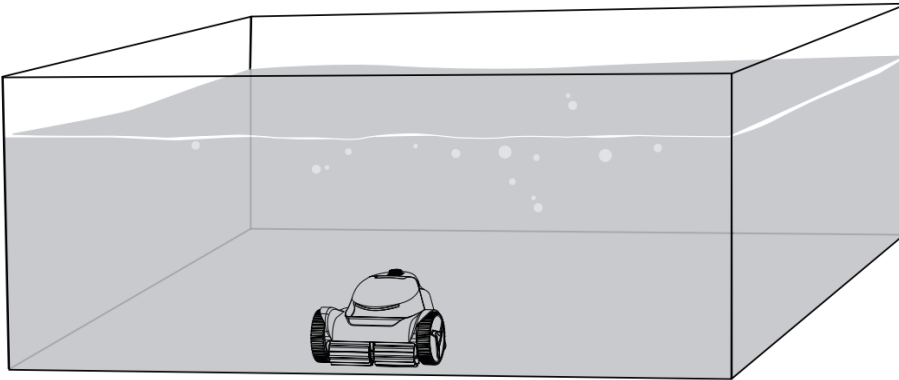
We ask of you to read this manual carefully and operate the unit strictly to what is detailed below. Not following such indications can cause damage to the heat pump or any user of the product. If any questions arise at any point, please reach out to the technical service team at Moov Pool Products.

Sit back, relax, and welcome to Moov!

The team at Moov

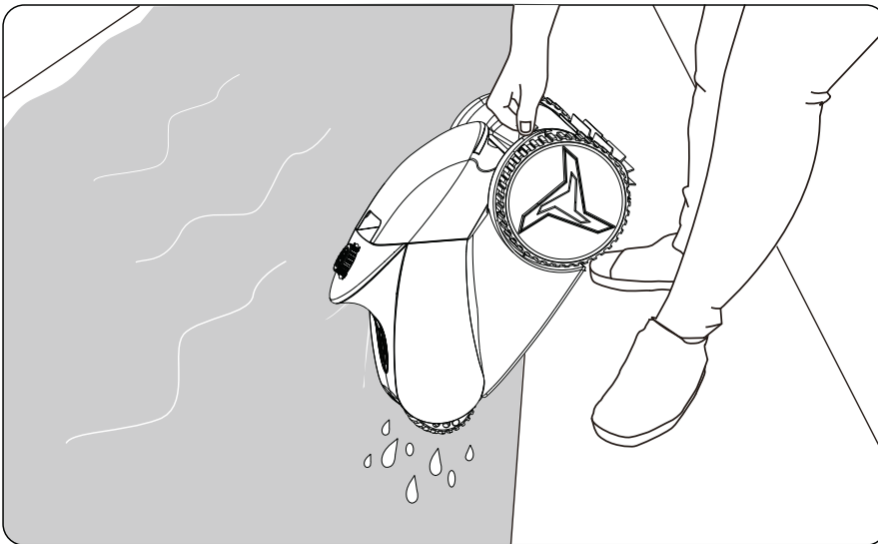
How to achieve the most efficient cleaning

Place the robot at the edge of the pool for quick coverage of the entire pool floor area.

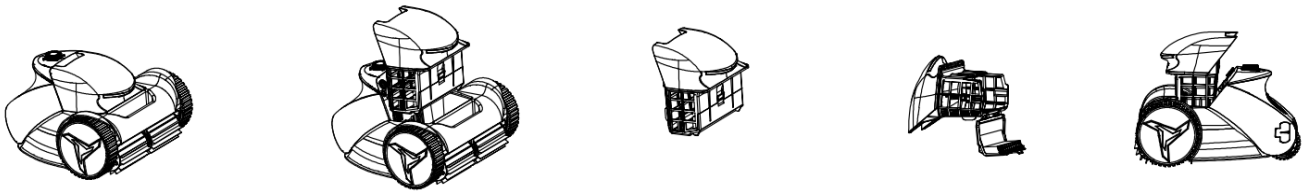


How to drain water from the robot

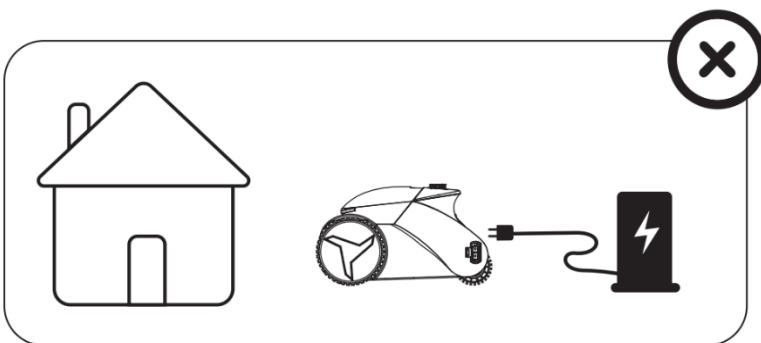
Place the robot on the edge of the pool for a while and let the water drain out.



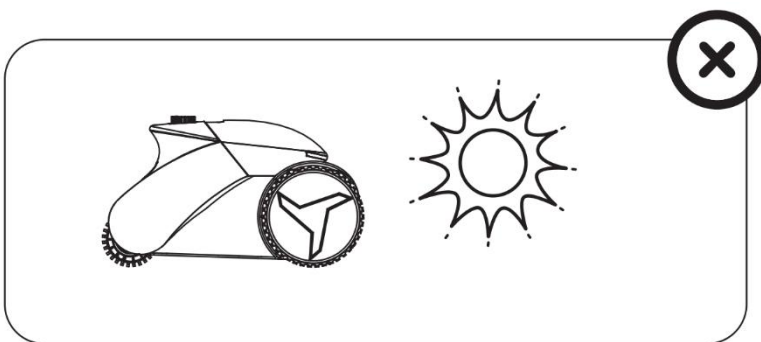
How to open the filter box



! Do not charge the robot outdoors.



! Do not long-term expose the robot to the sun.



WARNINGS

This page contains information that will help you operate the robot safely, prevent hazards and damage to the robot or other property.

GENERAL WARNINGS

- Read the instructions before operating the robot.*
- The robot is designed for pool cleaning; do not use it for other purposes.*
- Keep the robot out of reach of children or persons with reduced physical, sensory or mental capabilities without supervision or instruction.*
- The robot must be installed, operated and maintained as specified in this manual.*
- The robot is to be installed in accordance with manufacturer's guidelines and in compliance with the relevant requirements of the local or national standards for installation. The manufacturer is not responsible for any outcome related to the failure to comply with installation, usage or maintenance guidelines.*
- Incorrect installation or use of the robot may cause serious damage to property or injuries to people.*
- Do not enter pool while the robot is in water.*

WARNINGS ON USE

- Only use the detachable supply unit provided with the robot to recharge the battery. It is suggested to operate the power supply at least 3.5 meters from edge of pool.*
- Disconnect the robot from the power supply and power switch is OFF before performing any maintenance on the robot.*
- Do not try to repair the robot yourself or open motor box in case of malfunction, please contact your dealer.*
- If there is any malfunction or release of odor from the robot when charging, disconnect*

it from the power supply immediately and contact your dealer.

- Use only original replacement parts supplied by the manufacturer for service and repair.

GENERAL OPERATION CONDITIONS

Water depth range(ft)	Water temperature(°F)	PH	NaCl(PPM)	Chlorine(PPM)
3.3-8.2	39-95	7,0-7,8	5000 MAX	4 MAX

Note: water temperature below 59°F, the endurance time may be affected.

- The robot is recommended for private pools.
- The robot will automatically stop running if the water depth is less than 16inch for the purpose of motor protection.
- Do not use the robot during shock chlorination.
- Do not use the robot in thunderstorm or stormy weather.
- Do not expose the robot to direct rainfall or sunlight for an extended period.

CAUTIONS

- Hold the robot by the pool edge to let the water drain out before lifting from the pool, do it slowly so as to prevent back injury.
- Clean the filter basket after each cleaning cycle.
- Do not lift the robot out of water by brush roller.

REMINDER

- When the robot battery is lower than 30%, it will clean the floor only.
- Storing your robot:
 - a. Ensure the robot is fully dry before storage. This prevents degradation or damage to the motors or internal structure.

b. The filter basket should be cleaned thoroughly after usage and do not leave dirt or debris to dry in filter basket.

c. The charger cable is stored neatly without twists whilst in long-term storage.

- Optimum storage temperature between 14-113 °F and storage humidity between 30%-70%/RH.

- In the floor mode, the robot can not work in >30° slope.

Table of Contents

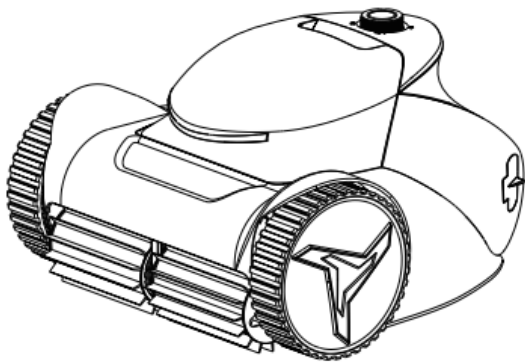
SECTION 1. PRODUCT OVERVIEWS	1
1.1 Packaging content.....	1
1.2 Technical specification	2

1.3 Preparation.....	3
SECTION 2. OPERATION.....	5
2.1 Overview of Control Panel.....	6
2.2 Operation on the display of the unit.....	9
2.3 Cleaning the filter basket.....	11
2.4 Charging the robot.....	12
SECTION 3. MAINTENANCE.....	14
3.1 Filter basket.....	14
3.2 Impeller maintenance.....	15
3.3 Replace the worn brushes.....	<i>Erreur! Signet non défini.</i>
SECTION 4. TROUBLESHOOTING.....	18

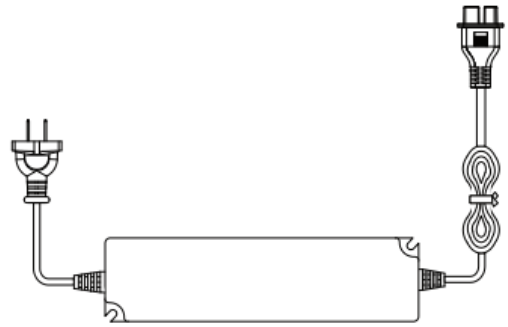
SECTION 1. PRODUCT OVERVIEWS

1.1 Packaging content

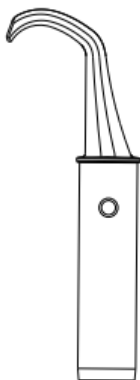
The following items are included in the packaging of robot. Please contact your dealer if any damage or loss.



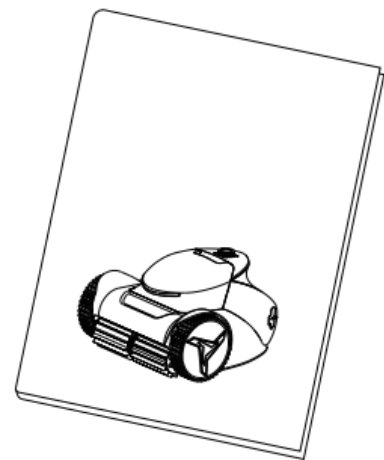
①



②



③



④

① The robot ② Charger ③ Hook ④ User manual

Note:

1. The power must be ON when the robot is in use or charging. When the robot

is not in use, please turn the power OFF to protect the battery.

1.2 Technical specification

Model	M45RR	M30RR
Endurance condition reference*: Floor mode		
Endurance time	4.4h	2.8h
Charging time	3.5h	3.5h
Battery	5.0Ah	
Pool size	236.22×393.7 inch	
Optimum pool temperature	39~95°F	
Cleaning mode	Floor only;	
Cleaning time	1h/1.5h/2h/Max	
Filter capacity	0.84 gal	
Filtration accuracy	120μm	
Pump flow rate	5200-3900 gal./hr	
Running power	20-100W	
Moving speed	39ft /min	
Number of motors	3	
Charger input	100-240VAC ~ 50/60Hz	

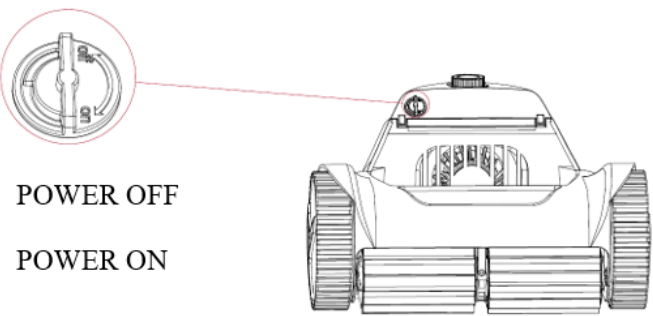
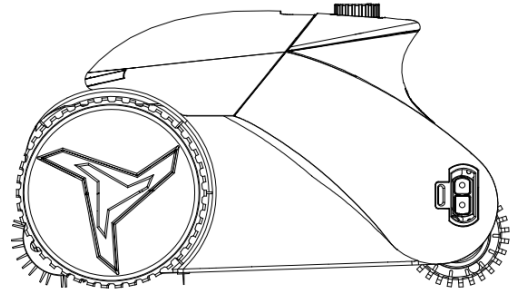
Running voltage/current	25.5V/1A	
Robot NW	15.4lb	14.3lb
Robot dimension (L*W*H)	17.32 *15.75 *9.37 inch	
Robot packaging dimension (L*W*H)	19.84 *17.72 *11.81 inch	

Cleaning time reference:


Clean once in Floor mode: 30 minutes (157.48 *314.96 inch swimming pool as an example).

Note: The manufacturer reserves the right to modify these specifications without notice.

1.3 Preparation

<p>① Power switch.</p>  <p>POWER OFF POWER ON</p>	<p>② Remove the plug cover. When fully charged, re-cover the plug. Do not immerse the robot in water without putting the charging port cover back on the robot.</p> 
--	--

③ Connect to the power supply(100-240V) using the attached charger.

Battery level is shown on the battery bar, when all 3 bar lights  are on, it is fully charged. (When

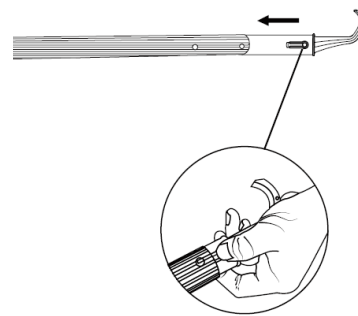
charging, press the button to show the battery status)

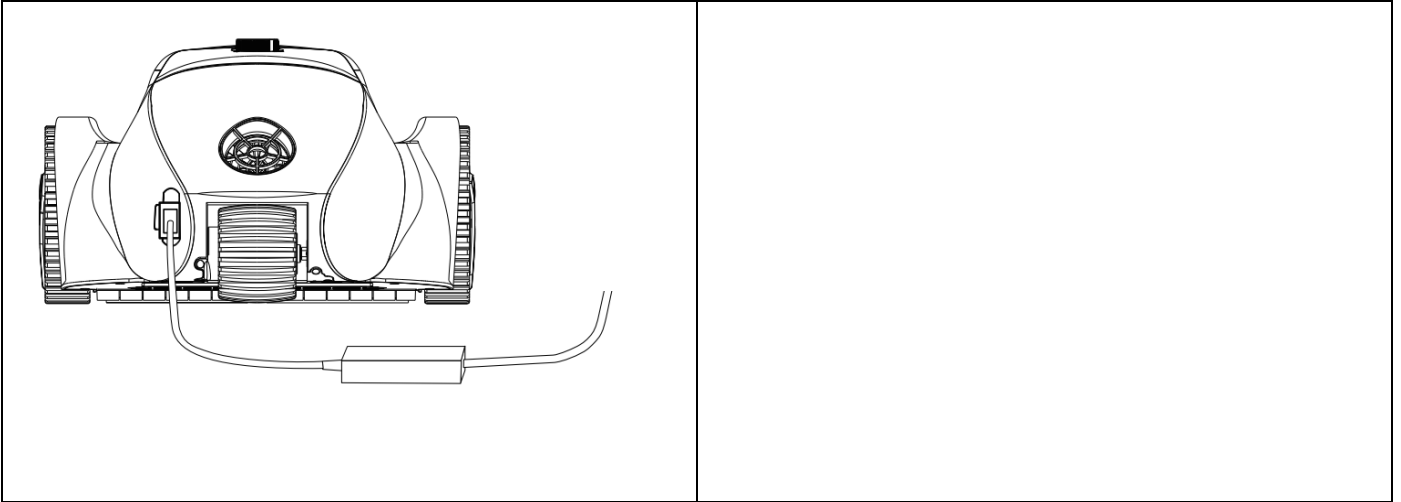
Fully charge the robot before the first use.

*Suggested Charging Temperature: 6-35°C.

(If the temperature is higher than 50°C, the robot will not be charged.)

④ Install the configured hook on the rod (Rod is exclusive).





SECTION 2. OPERATION

⚠ CAUTION

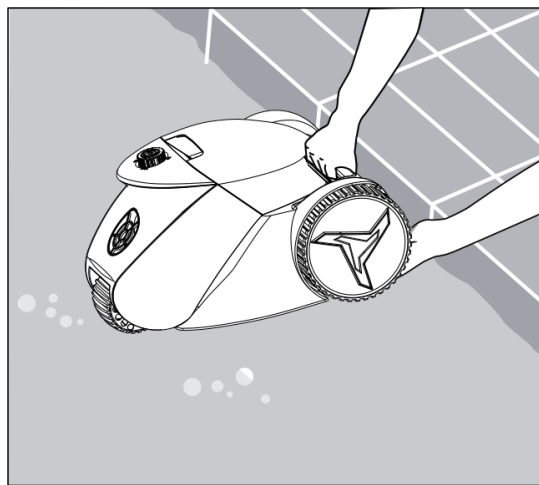
To prevent potential damage to the robot or people, be sure to follow these guidelines:

- After cleaning, store the robot in a cool, dry place out of direct sunlight.*
- Carefully remove the robot from the pool and drain the water before lifting.*

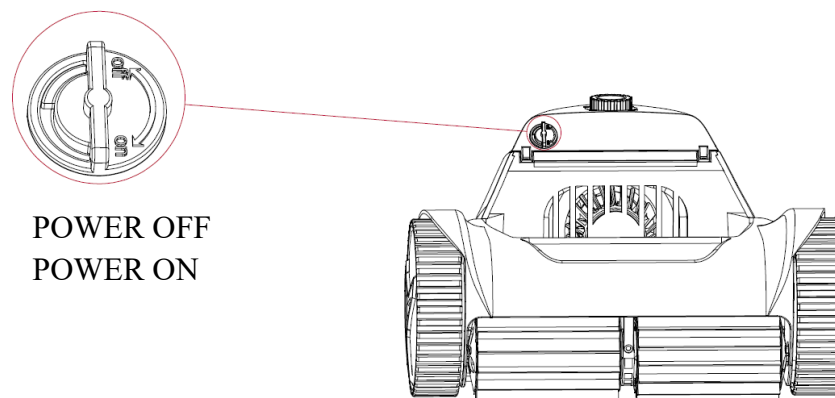
IMPORTANT

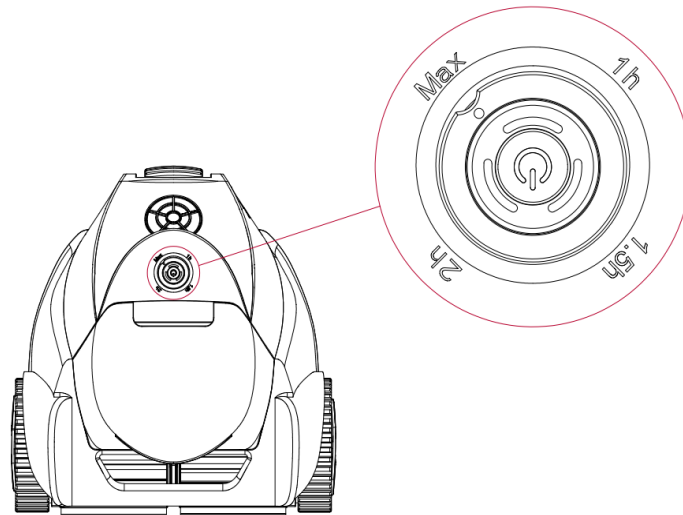
- Once the robot is set up, drop into the water within 3 minutes or the robot will enter sleep mode.*

- Clean the filter basket after the cleaning cycle. Avoid cleaning the surface of the filter mesh directly with your hands.
- The robot has a safety feature that automatically stop running if the water depth is less than 40 centimeters. When placing the robot into the pool water, ensure it is fully submerged, then turn the robot in all directions to release any air trapped in the robot before it enters the water.











2.1 Overview of Control Panel





The following description shows that the robot is in the ON operable state:

Button	Icon	Display Status	Description
Power switch		Lights (Green) flashing	Setup status
		Lights OFF	Sleep status/Power OFF status
		Lights ON	Running status/Inspection status under water
Cleaning time		Arrow pointing 1h	Cleaning time: 1 hour
		Arrow pointing 1.5h	Cleaning time: 1.5 hour
		Arrow pointing 2h	Cleaning time: 2.0 hour
		Arrow pointing Max	Cleaning until low battery
Cleaning		Green lights being on	Floor cleaning mode

mode			
Battery light (Non-charging status)		1 light being on	Battery level: 30-40%
		2 lights being on	Battery level: 40-70%
		3 lights being on	Battery level: 70-100%
Low battery		1 light flashes	Battery level below 30%
Battery light (Charging status)		3 lights flash in cycle	Charging
		3 green lights being on	Battery level: 100%
Error		1 flashing red light (Left)	Left drive failure
		1 flashing red light (Right)	Right drive failure
		1 flashing red light (Bottom)	Water pump failure
		2 flashing red lights (Left & Bottom)	Gyroscope failure

		2 flashing red lights (Left & Right)	Water sensor failure
--	---	--------------------------------------	----------------------

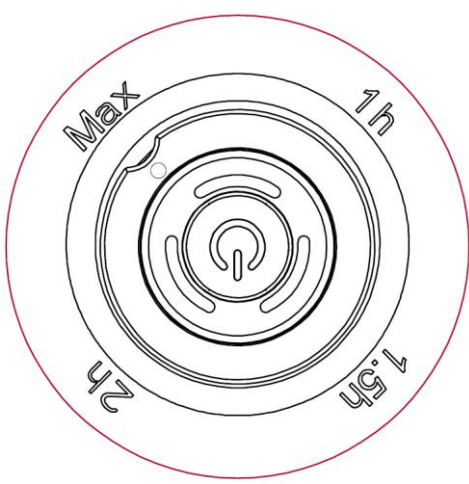
2.2 Operation on the display of the unit

1. Switch the power to ON, the buzzer will beep and the light will flash (Default cleaning mode is Floor mode for the first time - green light), and you can start operating the setting.

Press the button to choose the cleaning mode, rotate the button to select the cleaning time, please align the arrow on the knob with the time you want to choose as shown below.

Once the setting is completed, put the robot into the pool, it will automatically start cleaning when it touches the floor.

If there is no operation when the light flashes within 3 minutes, the robot will stop running and enter sleep mode. Short press of the button to awake the robot in sleep mode.



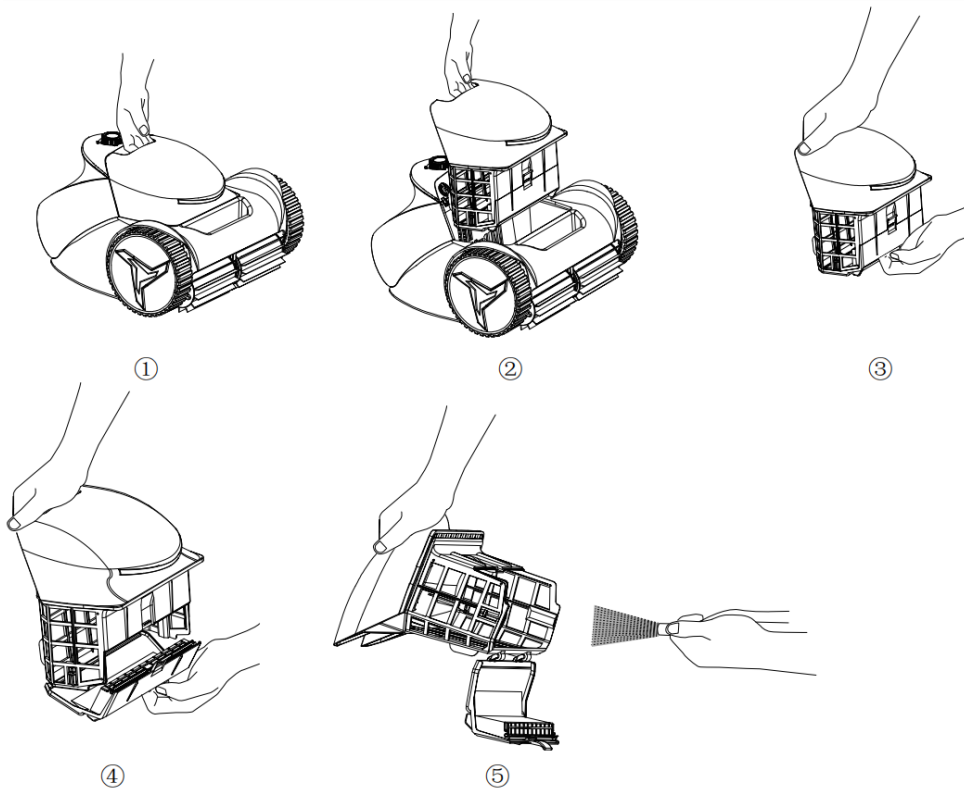
Note: Please make sure that the arrow on the knob is aligned with the set cleaning time. If the arrow is not in the right position at the setting time, the cleaning time

will be subjected to the left side of the arrow.

- 2. If the battery is lower than 15% during the cleaning cycle, one bar light will keep flashing, then the robot will self-park at the pool side and enter sleep mode after 3 minutes.*

2.3 Cleaning the filter basket

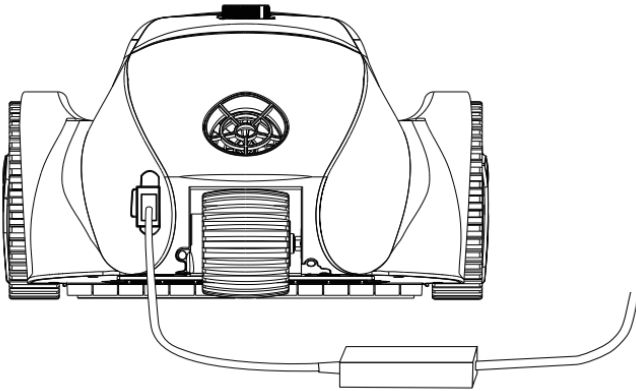
After a cleaning cycle, the robot will self-park at the pool side. Use the hook to catch the handle and lift the robot out of the water, drain the water from the robot and clean the filter basket as shown below:



Note:

To prevent injury, wear rubber gloves when cleaning the filter basket.

2.4 Charging the robot



1. Take the cover off the charging port. The charging port cover will remain tethered to the robot's body – do not lose the charging port cover.
2. Ensure the charging port and the charger are dry before charging.
3. Plug the charger into the robot first and then into a 100-240V power supply. When the battery light on the robot is flashing in a circle, the robot is charging.
4. When the battery light on the robot has 3 green bar lights on, the robot is fully charged.
5. Once the robot is fully charged, turn the power off at the wall, then unplug the charger from the robot and the power supply. Store the charger in a safe place. To protect the battery, do not leave the charger plugged into the robot after charging has completed.
6. Insert back the cover into the robot's charging port.
7. If the robot will not be used for an extended period of time, it should be fully charged at least every three months to protect the battery.

Note: Only use the original charger to charge the robot. Using any other charger will void the warranty.

SECTION 3. MAINTENANCE

⚠ WARNING

- 1. To avoid electric shock and other hazards which could result in serious injury, disconnect the adapter from the power source before performing any cleaning and maintenance.*
- 2. Before performing any maintenance, turn the power switch OFF to prevent injury from impeller rotation.*

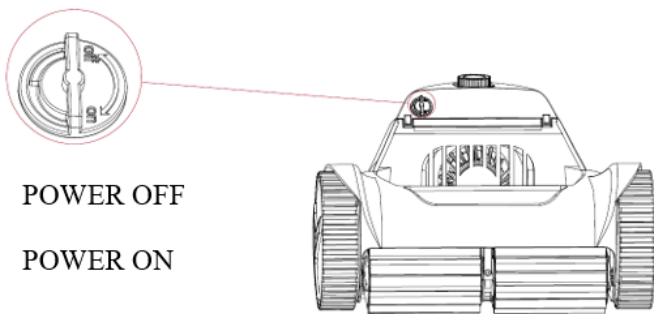
3.1 Filter basket

- 1. Clean the filter thoroughly and regularly for better cleaning performance. Otherwise, the cleaning performance may be affected when the filter is full or clogged.*
- 2. Clean the clogged filter annually with a mild acidic detergent. Wear appropriate protective clothing while cleaning.*

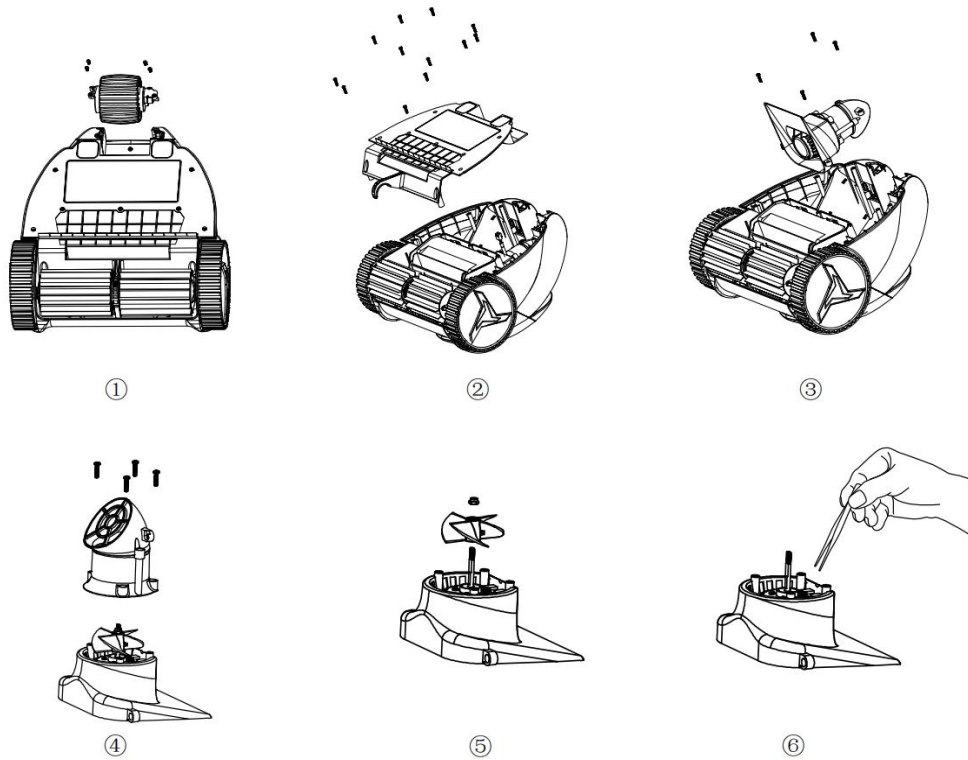
3.2 Impeller maintenance

Visually check whether the impeller or impeller shaft is entangled with hair or other debris. If the robot has a reduced suction, clean the debris trapped in the impeller.

**The power switch MUST be OFF before any maintenance on the impeller.*



Follow the below steps:




- ① Remove the rear wheel fixing screw and take out the rear wheel.
- ② Remove the fixing screws of the bottom cover and take out the bottom cover.
- ③ Remove the fixing screws of the water pump motor cover assembly.
- ④ Remove the screws that fix the air deflector and take out the air deflector.
- ⑤ Remove the impeller fixing screws and take out the impeller.

Note: Please wear gloves when removing the impeller to prevent injury from sharp edges.

- ⑥ Clean the impeller debris and reassemble all the above parts in order.

Note: If you have any difficulty with impeller maintenance, contact the dealer for assistance.

SECTION 4. TROUBLESHOOTING

Failure	Possible reason	Solution
Charging failure	Debris on the electrode of charging head (Non-failure)	Clean debris
	The temperature is higher than 122°F	Place the robot in 43-95°F temperature environment
	The charging kit is damaged	Replace the charging kit
Switching on failure	The power switch is OFF (Non-failure)	Turn on the power
	Wrong operation (Non-failure)	Hold  the button for 3 seconds
	No power in the battery (Non-failure)	Get the robot fully charged
Not working (not moving, not pumping)	Low battery (Non-failure)	Get the robot fully charged
	Out of water (Non-failure)	Make sure the robot under water and the indicator lights are on
	Full load of filter basket (Non-failure)	Clean filter basket
Moving but not pumping	The impeller gets stuck	Check whether there is too much debris in the guide ring, affecting the rotation of the impeller. (Please switch the power to OFF before

		<i>operation, to avoid injuries caused by the impeller rotation)</i>
	<i>Full load of filter basket (Non-failure)</i>	<i>Clean filter basket</i>
	<i>Water inlet is blocked(Non-failure)</i>	<i>Take out of filter basket and clean water inlet</i>
	<i>Battery low (Non-failure)</i>	<i>Get the robot fully charged</i>
<i>Pumping but not moving</i>	<i>The moving motor gets stuck</i>	<i>Please contact the dealer for a replacement</i>
	<i>The track is deviated and stuck (Non-failure)</i>	<i>Turn the robot upside down and roll the track forward and backward to restore the track</i>
	<i>Track is damaged</i>	<i>Replace track</i>
	<i>Scrubber gets stuck (Non-failure)</i>	<i>Clean scrubber</i>
	<i>The robot gets stuck by obstacle and shut down for auto-protection (Non-failure)</i>	<i>Remove the obstacle and restart</i>
	<i>Full load of filter basket (Non-failure)</i>	<i>Clean filter basket</i>
<i>Poor cleaning</i>	<i>Battery low (Non-failure)</i>	<i>Get the robot fully charged</i>
	<i>The impeller is stuck</i>	<i>Remove any debris or hair in the guide ring</i>

capability	Full load of filter basket (Non-failure)	Clean filter basket
	Water inlet blocked (Non-failure)	Take out of filter basket and clean the water inlet
	Scrubber is damaged	Replace scrubber
	Filter basket is damaged	Replace filter basket
Unusual non-stop	Software failure	Switch the power to OFF and then ON
Error	a. Left drive failure b. Right drive failure c. Water pump failure d. Infrared sensor failure e. Water sensor failure	Switch the power to OFF and then ON to check if the error disappears, if not, please contact the dealers

Note:

1. Do not use the robot when people or animals are in the pool.
2. Charger **MUST BE DISCONNECTED** before performing any maintenance on the robot.
3. Contact dealer for problems not include in Trouble Shooting Guide.
4. Normally, the robot will stop at the poolside when it encounters any failure or when the battery is less than 15%.
5. If the robot is malfunctioning, the light on the control panel flashes red.

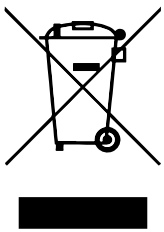
Restart the robot might remove the error warning and allow operation, if error occurs again, please check troubleshooting guide.

Indoor



For switch power supply indoor use only.

Recycling



The robot contains a Lithium-ion battery, which should be recycled by qualified battery electronics recyclers. Recycling of batteries and battery-containing products benefits the environment and human health.

Do NOT disassemble or dispose of the battery in the rubbish or municipal recycling bins.

Section 5. Warranty & After-Service

Please note that the warranty begins at the time of purchase. If this purchase is delayed, as in the case of a new pool build or later shipment, the shipping date must be proved with appropriate documentation to have the warranty start at the time of commissioning. Warranty is only valid upon first commissioning.

Some claims will not be approved under any circumstances by Moov Pool Products. Such claims include and are not limited to:

- Incorrect operation of the unit by not following correct instructions.
- Damage caused to the robot due to misuse or damage caused by any other means than manufacturer defect.
- If robotic pool cleaner is repaired or serviced by an unauthorized dealer or service station.
- If an unauthorized service station damaged battery seal.
- If you overcharge the battery by using a non-specified input power adapter.
- If you cause a fault in the operation of the machine by using non-specified accessories.

All warranty claims must be approved by an authorized Moov Pool Products employee. For more information on warranties or to submit a claim, contact Moov Pool Products.

Moov Pool Products Canada – (450)-328-5858
Moov Pool Products Inc. (USA) - (407)-559-2077
www.moovpool.com/contact

The factory reserves the final interpretation right and keep the right to stop or change product specification and design without prior notice at any time, no need to bear

M^oo^v™

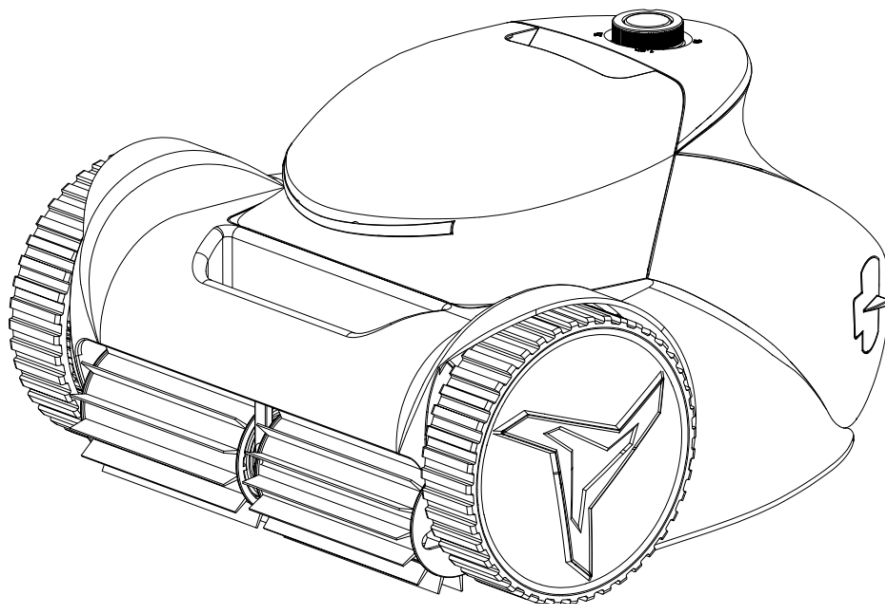
POOL PRODUCTS

Moov Reliant

M30RR/M45RR

Robot nettoyeur pour piscine sans fil

Veillez lire le manuel d'utilisation attentivement



Un petit merci de notre côté :

Merci de nous faire confiance!

On sait à quel point votre temps est important et on souhaite s'assurer que vous profitez autant de la saison de piscine que possible. En choisissant Moov Pool Products, vous choisissez une entreprise parmi les plus innovantes sur le marché.

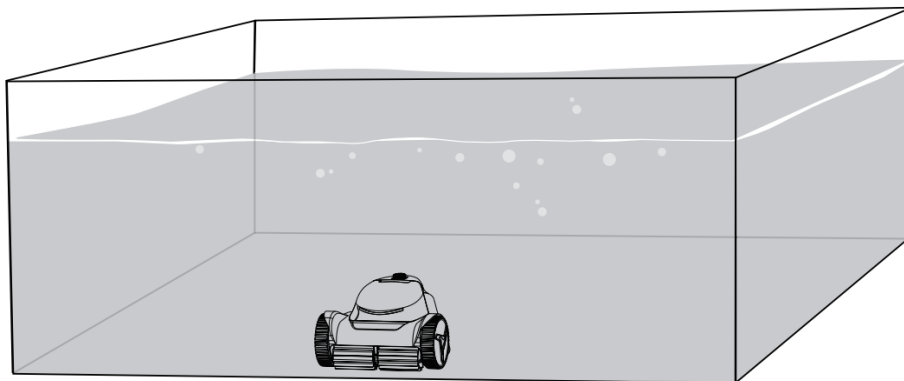
On vous demande désormais de prendre le temps de lire le manuel attentivement et opérer le produit tel qu'expliqué plus bas. Ne pas suivre les indications ci-dessous pourrait causer des dommages à l'unité ou aux individus. Si vous avez des questions, contactez directement l'équipe technique chez Moov Pool Products.

Bienvenue chez Moov!

The team at Moov

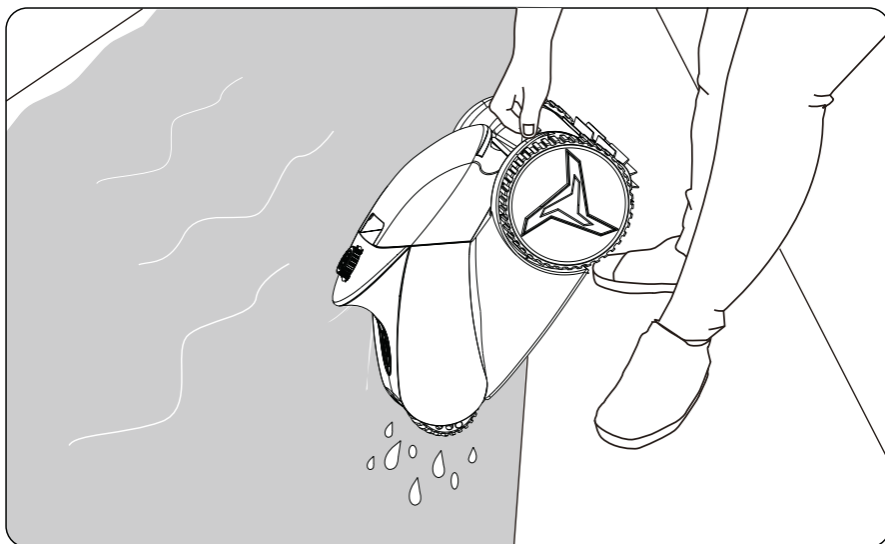
Comment obtenir le nettoyage le plus efficace

Placez le robot dans un coin de la piscine pour couvrir rapidement toute la surface du bassin.

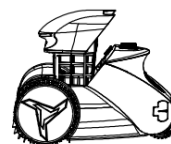
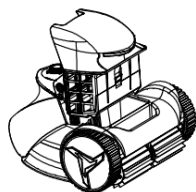
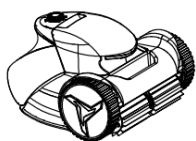


Comment vidanger l'eau du robot

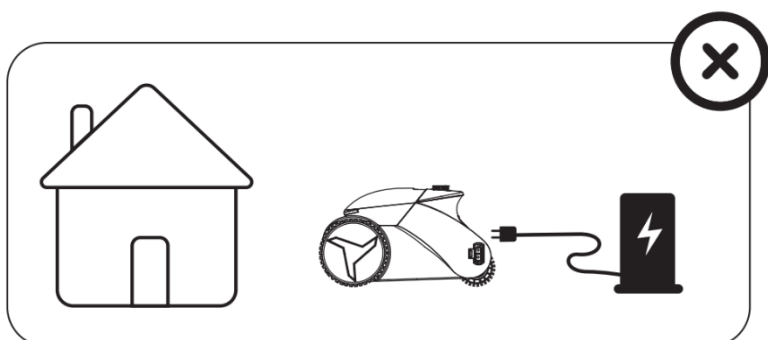
Placez le robot sur le bord de la piscine pendant un certain temps et laissez l'eau s'écouler.



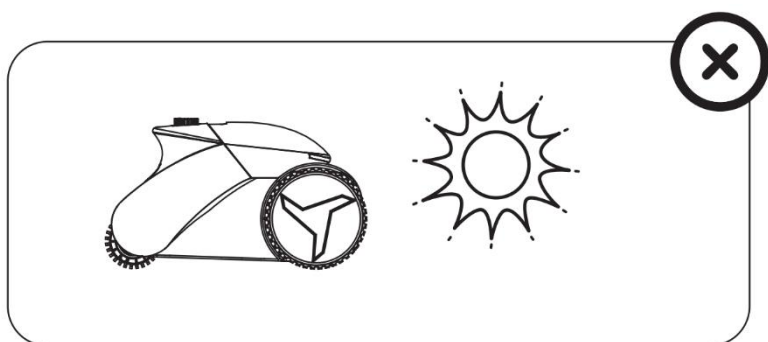
Comment ouvrir la boîte du filtre



⚠ *Ne chargez pas le robot à l'extérieur.*



⚠ *Ne laissez pas le robot exposé longuement au soleil.*



AVERTISSEMENTS

Cette page contient des informations qui vous aideront à utiliser le robot en toute sécurité, à prévenir les dangers et à endommager le robot ou d'autres biens.

AVERTISSEMENTS GÉNÉRAUX

- *Lisez les instructions avant d'utiliser le robot.*
- *Le robot est conçu pour le nettoyage de la piscine ; ne l'utilisez pas à d'autres fins.*
- *Gardez le robot hors de portée des enfants ou des personnes ayant des capacités physiques, sensorielles ou mentales réduites sans surveillance ni instruction.*
- *Le robot doit être installé, utilisé et entretenu comme spécifié dans ce manuel.*
- *Le robot doit être installé conformément aux directives du fabricant et aux exigences des normes locales ou nationales en vigueur en matière d'installation. Le fabricant n'est pas responsable des conséquences liées au non-respect des directives d'installation, d'utilisation ou de maintenance.*
- *Une installation ou une utilisation incorrecte du robot peut entraîner de graves dommages matériels ou des blessures corporelles.*
- *N'entrez pas dans la piscine lorsque le robot est dans l'eau.*

AVERTISSEMENTS D'UTILISATION

- *Pour recharger la batterie, utilisez uniquement le bloc d'alimentation amovible fourni avec le robot. Il est conseillé de faire fonctionner le bloc d'alimentation à au moins 3,5 mètres du bord de la piscine.*
- *Débranchez le robot de l'alimentation électrique et assurez-vous que l'interrupteur d'alimentation est sur OFF avant d'effectuer toute maintenance sur le robot.*
- *N'essayez pas de réparer le robot vous-même ou d'ouvrir le boîtier du moteur en cas de dysfonctionnement, veuillez contacter votre revendeur.*

- En cas de dysfonctionnement ou de dégagement d'odeur du robot lors de la charge, débranchez-le immédiatement de l'alimentation électrique et contactez votre revendeur.
- Utilisez uniquement des pièces de rechange d'origine fournies par le fabricant pour l'entretien et la réparation.

CONDITIONS GÉNÉRALES DE FONCTIONNEMENT

Profondeur de l'eau (ft)	Température de l'eau (°F)	PH	NaCl (ppm)	Chlore (PPM)
3.3-8.2	39-95	7,0-7,8	5000 MAX	4 MAX

Remarque : si la température de l'eau est inférieure à 59°F , le temps d'endurance peut être affecté.

- Le robot est recommandé pour les piscines privées.
- Le robot s'arrêtera automatiquement de fonctionner si la profondeur de l'eau est inférieure à 16inch afin de protéger le moteur.
- Ne pas utiliser le robot pendant la chloration choc.
- N'utilisez pas le robot en cas d'orage ou de tempête.
- N'exposez pas le robot à la pluie directe ou au soleil pendant une période prolongée.

PRÉCAUTIONS

- Tenez le robot par le bord de la piscine pour laisser l'eau s'écouler avant de le sortir de la piscine, faites-le lentement afin d'éviter de vous blesser au dos.
- Nettoyez le panier filtre après chaque cycle de nettoyage.
- Ne soulevez pas le robot hors de l'eau en utilisant la brosse rotative.

RAPPEL

- Lorsque la batterie du robot est inférieure à 30 %, il nettoiera uniquement le sol .
- Stockage de votre robot :
 - a. Assurez-vous que le robot est complètement sec avant de le ranger. Cela évite toute

dégradation ou tout dommage aux moteurs ou à la structure interne.

b. Le panier-filtre doit être soigneusement nettoyé après utilisation et ne laissez pas de saleté ou de débris sécher dans le panier-filtre.

c. Le câble du chargeur est rangé soigneusement sans torsions lors d'un stockage à long terme.

- Optimal stockage température entre 14 °F et 113 °F et stockage humidité entre 30%-70%/HR.

- En mode sol, le robot ne peut pas travailler sur une pente > 30°.

Table des matières

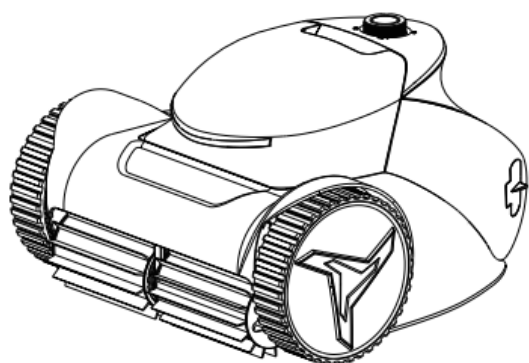
SECTION 1. APERÇU DES PRODUITS	1
--------------------------------------	---

1.1 Contenu de l'emballage	1
1.2 Spécifications techniques	2
1.3 Préparation	3
SECTION 2. FONCTIONNEMENT	5
2.1 Présentation du panneau de configuration	6
2.2 Fonctionnement sur l'écran de l'appareil	9
2.3 Nettoyage du panier-filtre	11
2.4 Chargement du robot	12
SECTION 3. ENTRETIEN	14
3.1 Panier filtrant	14
3.2 Entretien de la turbine	15
3.3 Remplacer les balais usés	<i>Erreur! Signet non défini.</i>
SECTION 4. DÉPANNAGE	18

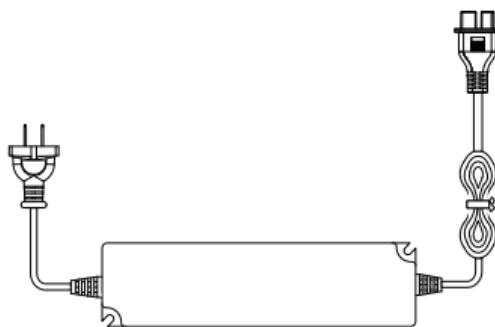
SECTION 1 . APERÇU DES PRODUITS

1.1 Contenu de l'emballage

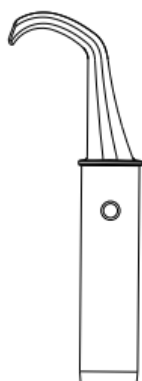
Les éléments suivants sont inclus dans l'emballage du robot. Veuillez contacter votre revendeur en cas de dommage ou de perte.



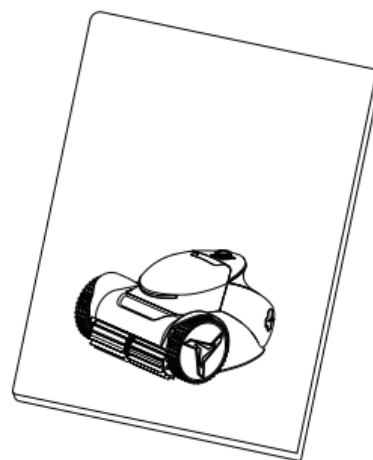
①



②



③



④

① Le robot ② Chargeur ③ Crochet ④ Manuel d'utilisation

Note:

1. L'alimentation doit être allumée lorsque le robot est en cours d'utilisation ou

en charge. Lorsque le robot n'est pas utilisé, veuillez éteindre l'appareil pour protéger la batterie.

1.2 Spécifications techniques

Modèle	M45RR	M30RR
Référence de condition d'endurance* : Mode sol		
Temps d'endurance	4,4 h	2,8 h
Temps de charge	3,5 h	3,5 h
Batterie	5,0 Ah	
Taille de la piscine	236.22×393.7 inch	
Température optimale de la piscine	39~95°F	
Mode de nettoyage	Sol seulement	
Temps de nettoyage	1h/1,5h/2h/Max	
Capacité du filtre	0.84 gal	
Précision de filtration	120 µm	
Débit de la pompe	5200-3900 gal./hr	
Puissance de course	20-100 W	
Vitesse de déplacement	39ft /min	
Nombre de moteurs	3	

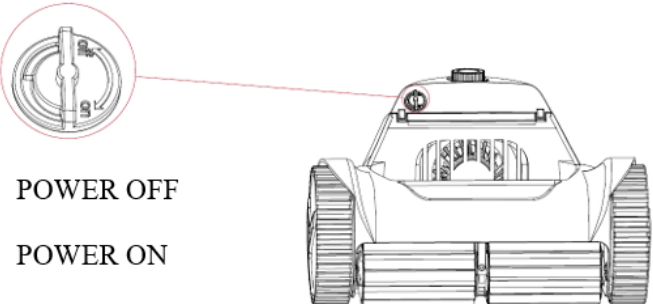
Entrée du chargeur	100-240 VCA ~ 50/60 Hz	
Tension/courant de fonctionnement	25,5 V/1 A	
Robot NW	15.4lb	14.3lb
Dimensions du robot (L x l x H)	17.32 *15.75 *9.37 inch	
Dimensions de l'emballage du robot (L x l x H)	19.84 *17.72 *11.81 inch	

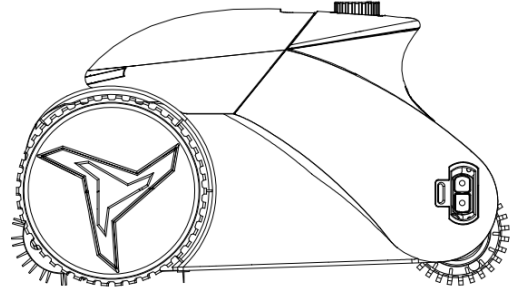
Référence du temps de nettoyage :

Nettoyer une fois en mode Sol : 30 minutes (piscine de 157.48 *314.96 inch à titre d'exemple).

Remarque : Le fabricant se réserve le droit de modifier ces spécifications sans préavis.


1.3 Préparation

<p>① Interrupteur d'alimentation.</p>  <p>POWER OFF POWER ON</p>	<p>② Retirez le couvercle de la prise. Une fois la charge terminée, remettez le couvercle de la prise. Ne plongez pas le robot dans l'eau sans remettre le couvercle du port de charge sur le robot.</p>
---	--



③ Connectez-vous à l'alimentation électrique (100-240 V) à l'aide du chargeur fourni.

Le niveau de la batterie est indiqué sur la barre de batterie, lorsque les 3 voyants de la barre sont allumés, la batterie est complètement chargée.

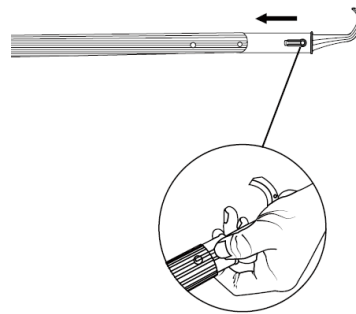
(Lors de la charge, appuyez sur le  bouton pour afficher l'état de la batterie)

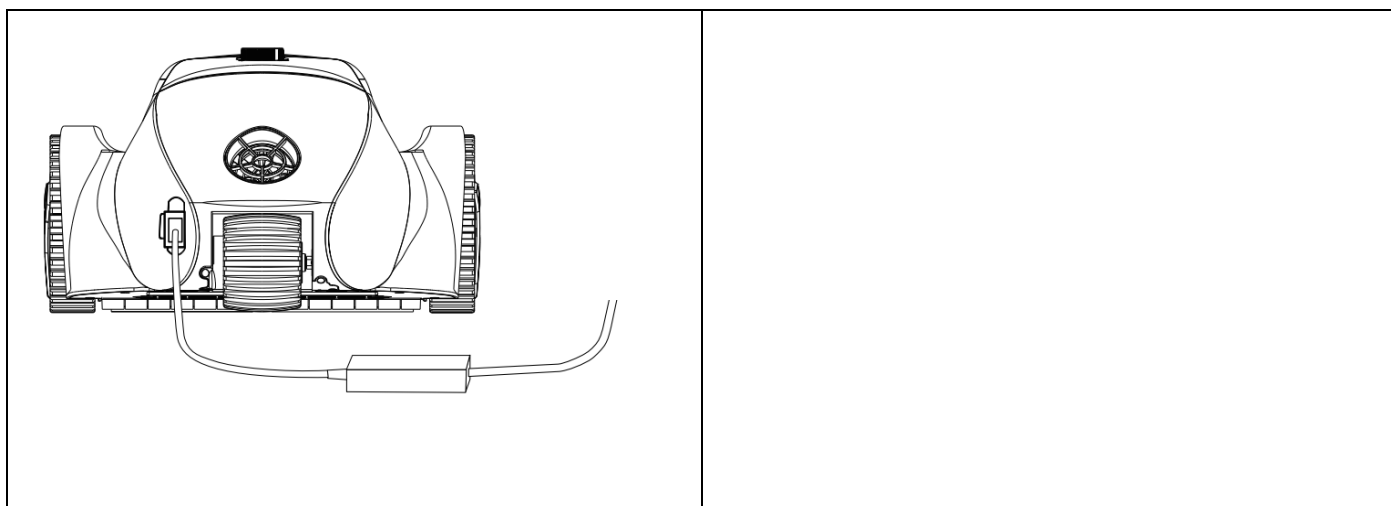
Chargez complètement le robot avant la première utilisation.

*Température de charge suggérée : 43-95°F .

(Si la température est supérieure à 122°F, le robot ne sera pas chargé .)

④ Installez le crochet configuré sur la tige (la tige est exclusive).





SECTION 2 . FONCTIONNEMENT

⚠ PRUDENCE

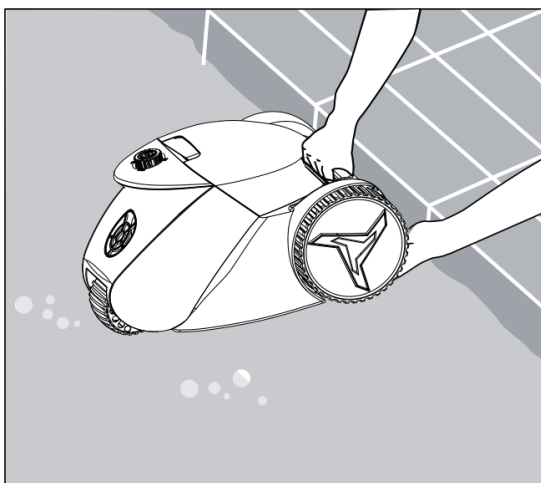
Pour éviter d'endommager le robot ou les personnes, assurez-vous de suivre ces consignes :

- Après le nettoyage, rangez le robot dans un endroit frais et sec, à l'abri de la lumière directe du soleil.*
- Retirez soigneusement le robot de la piscine et videz l'eau avant de le soulever.*

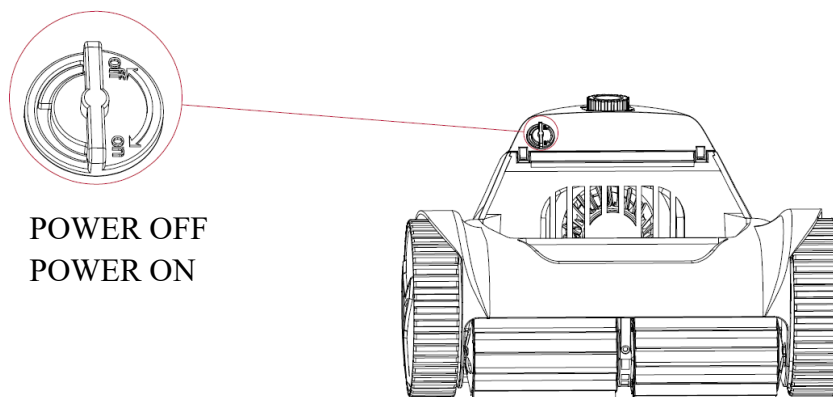
IMPORTANT

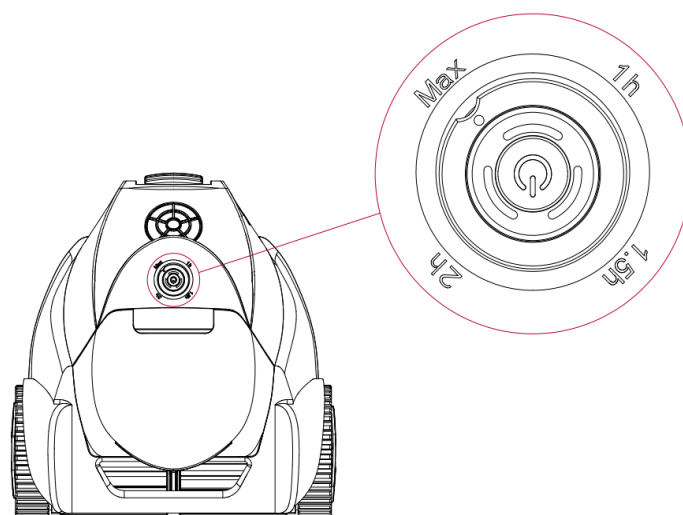
- Une fois le robot installé, plongez-le dans l'eau dans les 3 minutes sinon le robot entrera en mode veille.*
- Nettoyez le panier filtrant après le cycle de nettoyage. Évitez de nettoyer la surface du filtre directement avec vos mains.*

- Le robot est doté d'une fonction de sécurité qui s'arrête automatiquement si la profondeur de l'eau est inférieure à 40 centimètres. Lorsque vous placez le robot dans l'eau de la piscine, assurez-vous qu'il est entièrement immergé, puis faites-le tourner dans tous les sens pour libérer l'air emprisonné dans le robot avant qu'il n'entre dans l'eau.







2.1 Présentation du panneau de configuration









La description suivante montre que le robot est dans l'état opérationnel ON :

Bouton	Icône	Afficher l'état	Description
Interrupteur d'alimentation		Lumières (vertes/bleues) clignotantes	État de la configuration
		Lumières éteintes	État de veille/État hors tension
		Lumières allumées	État de fonctionnement/État d'inspection sous l'eau
Temps de nettoyage		Flèche pointant 1h	Temps de nettoyage : 1 heure
		Flèche pointant 1,5 h	Temps de nettoyage : 1h30
		Flèche pointant 2h	Temps de nettoyage : 2,0 heures

		Flèche pointant vers Max	Nettoyage jusqu'à ce que la batterie soit faible
Mode de nettoyage		Les feux verts sont allumés	Mode nettoyage du sol
Batterie en		1 lumière allumée	Niveau de batterie : 30-40%
		2 lumières allumées	Niveau de batterie : 40-70%
		3 lumières allumées	Niveau de batterie : 70-100%
Batterie faible		1 lumière clignote	Niveau de batterie inférieur à 30%
Voyant de batterie (état de charge)		3 lumières clignotent en cycle	Chargement
		3 feux verts allumés	Niveau de batterie : 100%
Erreur		1 feu rouge clignotant (gauche)	Panne du disque gauche

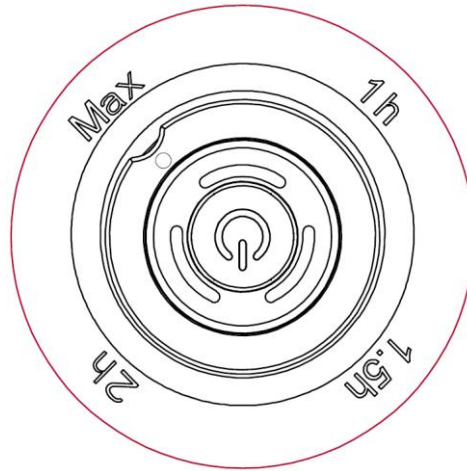
	1 feu rouge clignotant (à droite)	Panne du disque droit
	1 lumière rouge clignotante (en bas)	Panne de pompe à eau
	2 feux rouges clignotants (gauche) & Bas)	Panne du gyroscope
	2 feux rouges clignotants (gauche) & Droite)	Défaillance du capteur d'eau

2.2 Fonctionnement sur l'écran de l'appareil

- Mettez l'appareil sur ON, le buzzer émet un bip et le voyant clignote (le mode de nettoyage par défaut est le mode Sol pour la première fois - voyant vert), et vous pouvez commencer à utiliser le réglage.

Appuyez sur le bouton pour choisir le mode de nettoyage, tournez le bouton pour sélectionner le temps de nettoyage, veuillez aligner la flèche sur le bouton avec le temps que vous souhaitez choisir comme indiqué ci-dessous. Une fois le réglage terminé, placez le robot dans la piscine, il commencera automatiquement le nettoyage lorsqu'il touchera le sol.

Si aucune opération n'est effectuée lorsque la lumière clignote dans les 3 minutes, le robot s'arrêtera de fonctionner et entrera en mode veille. Appui court sur le bouton pour réveiller le robot en mode veille.

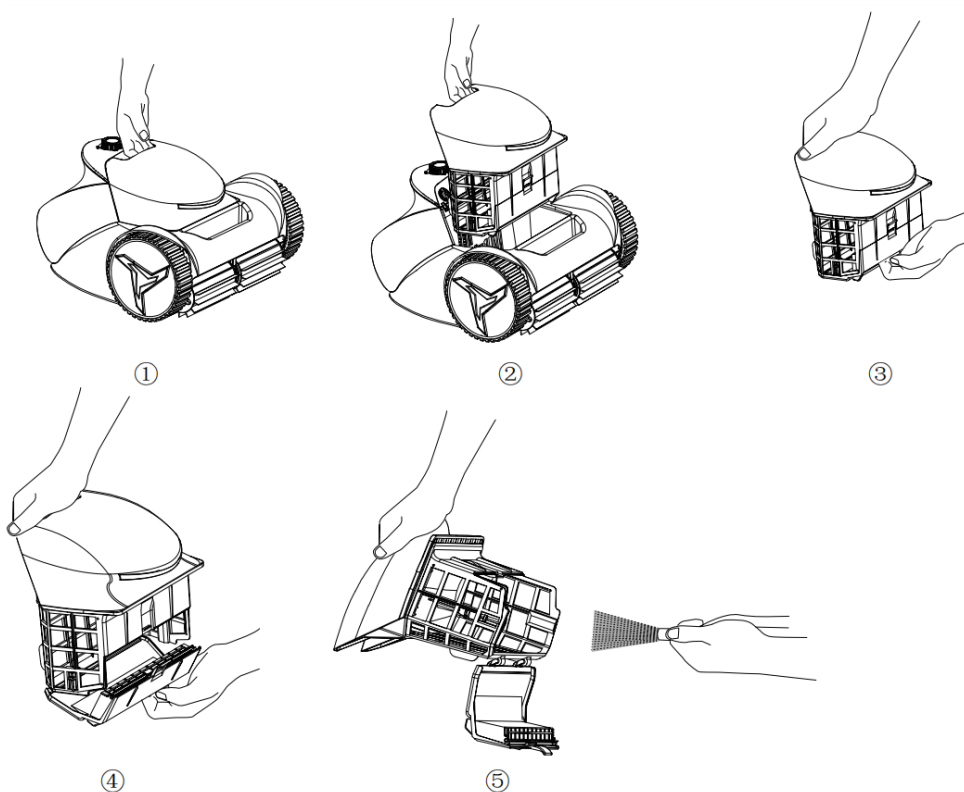


Remarque : Assurez-vous que la flèche sur le bouton est alignée avec le temps de nettoyage défini. Si la flèche n'est pas dans la bonne position au moment du réglage, le temps de nettoyage sera soumis au côté gauche de la flèche.

- 4. Si la batterie est inférieure à 15% pendant le cycle de nettoyage, une barre lumineuse continuera à clignoter, puis le robot se garera automatiquement au bord de la piscine et entrera en mode veille après 3 minutes.*

2.3 Nettoyage du panier du filtre

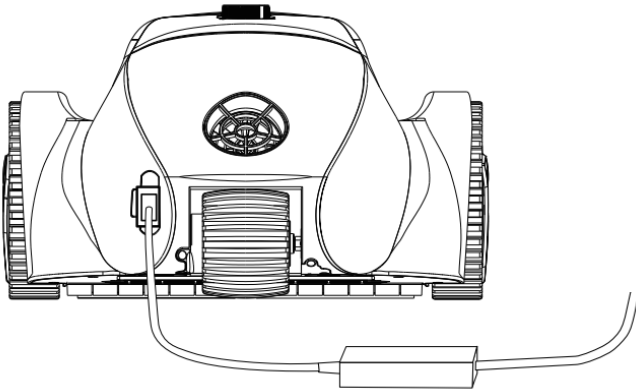
Après un cycle de nettoyage, le robot se garera automatiquement au bord de la piscine. Utilisez le crochet pour attraper la poignée et soulevez le robot hors de l'eau, videz l'eau du robot et nettoyez le panier filtrant comme indiqué ci-dessous :



Note:

Pour éviter toute blessure, portez des gants en caoutchouc lors du nettoyage du panier-filtre.

2.4 Chargement du robot



8. Retirez le couvercle du port de charge. Le couvercle du port de charge restera attaché au corps du robot. Ne le perdez pas.
9. Assurez-vous du port de charge et du chargeur sont secs avant de les charger.
10. Branchez d'abord le chargeur sur le robot, puis sur une alimentation 100-240 V. Lorsque le voyant de la batterie du robot clignote en rond, le robot est en charge .
11. Lorsque le voyant de la batterie du robot comporte 3 barres lumineuses vertes allumées, le robot est complètement chargé.
12. Une fois le robot complètement chargé, coupez l'alimentation électrique, puis débranchez le chargeur du robot et de l'alimentation électrique. Rangez le chargeur dans un endroit sûr. Pour protéger la batterie, ne laissez pas le chargeur branché sur le robot une fois la charge terminée.
13. Réinsérez le couvercle dans le port de charge du robot.
14. Si le robot n'est pas utilisé pendant une période prolongée , il doit être complètement chargé au moins tous les trois mois pour protéger la batterie.

Remarque : utilisez uniquement le chargeur d'origine pour charger le robot. L'utilisation

d'un autre chargeur annulera la garantie.

SECTION 3. ENTRETIEN

⚠ AVERTISSEMENT

- 1. Pour éviter tout choc électrique ou autre danger pouvant entraîner des blessures graves, débranchez l'adaptateur de la source d'alimentation avant d'effectuer tout nettoyage ou entretien.*
- 2. Avant d'effectuer toute opération de maintenance, coupez l'alimentation pour éviter toute blessure due à la rotation de la turbine.*

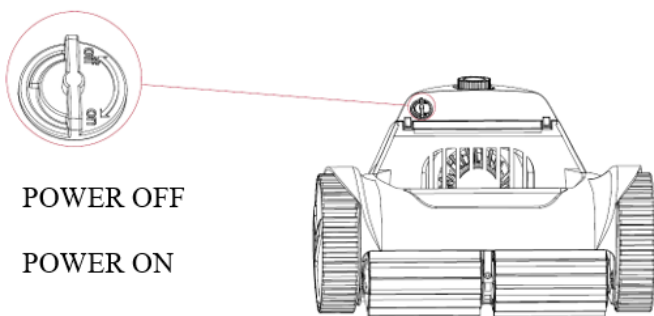
3.1 Panier filtrant

- 1. Nettoyez soigneusement et régulièrement le filtre pour de meilleures performances de nettoyage. Dans le cas contraire, les performances de nettoyage peuvent être affectées lorsque le filtre est plein ou obstrué.*
- 2. Nettoyez le filtre obstrué une fois par an avec un détergent acide doux. Portez des vêtements de protection appropriés pendant le nettoyage.*

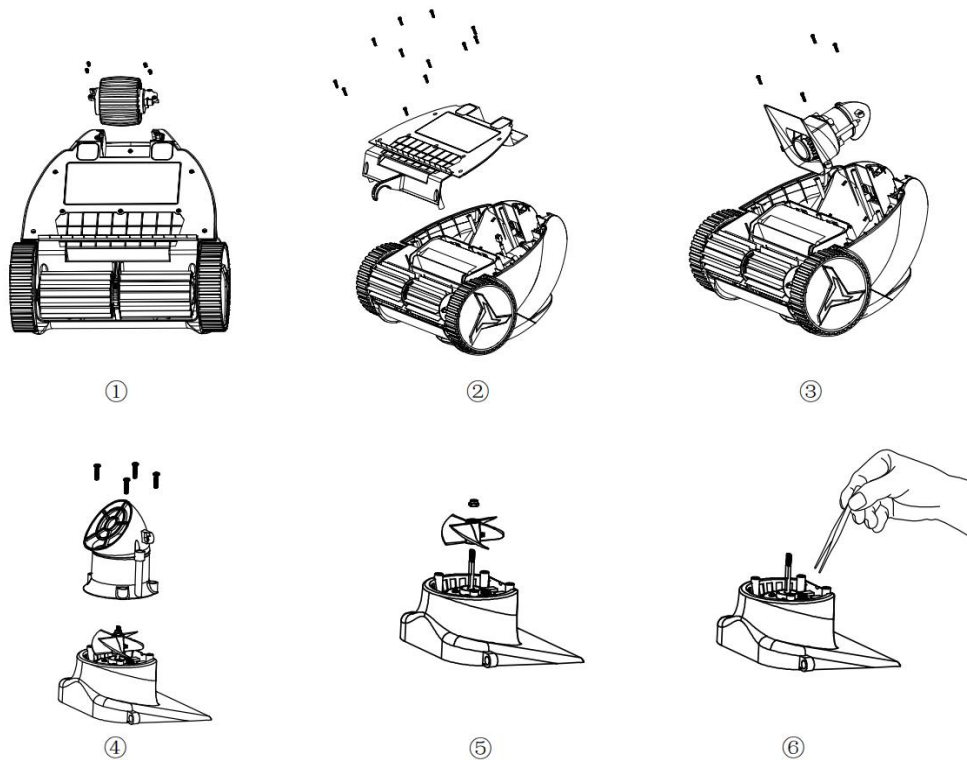
3.2 Entretien de la turbine

Vérifiez visuellement si la turbine ou l'arbre de la turbine ne sont pas emmêlés avec des cheveux ou d'autres débris. Si le robot a une capacité d'aspiration réduite, nettoyez les débris piégés dans la turbine.

***L'interrupteur d'alimentation DOIT être éteint avant toute maintenance sur la turbine .**




Suivez les étapes ci-dessous :



- ⑦ Retirez la vis de fixation de la roue arrière et retirez la roue arrière.
- ⑧ Retirez les vis de fixation du couvercle inférieur et retirez le couvercle inférieur.
- ⑨ Retirez les vis de fixation de l'ensemble couvercle du moteur de la pompe à eau.
- ⑩ Retirez les vis qui fixent le déflecteur d'air et retirez le déflecteur d'air.
- ⑪ Retirez les vis de fixation de la turbine et retirez la turbine.
- Remarque : veuillez porter des gants lorsque vous retirez la turbine pour éviter les blessures causées par les bords tranchants.
- ⑫ Nettoyez les débris de la turbine et réassemblez toutes les pièces ci-dessus dans l'ordre.

Remarque : si vous rencontrez des difficultés lors de l'entretien de la turbine, contactez le revendeur pour obtenir de l'aide.

SECTION 4. DÉPANNAGE

Échec	Raison possible	Solution
Échec de charge	Débris sur l'électrode de la tête de charge (non-défaillance)	Nettoyer les débris
	La température est supérieure à 122°F	Placez le robot dans un environnement à température de 43 à 95 °F
	Le kit de charge est endommagé	Remplacer le kit de charge
Mise en marche en cas d'échec	L'interrupteur d'alimentation est éteint (Non-échec)	Allumer l'alimentation
	Mauvaise opération (non-échec)	Maintenez le bouton  enfoncé pendant 3 secondes
	Pas de puissance dans la batterie (Non-échec)	Chargez complètement le robot
Ne fonctionne pas (ne bouge pas, ne	Batterie faible (sans panne)	Chargez complètement le robot
	Hors d'eau (Non-échec)	Assurez-vous que le robot est sous l'eau et que les voyants lumineux sont allumés
	Panier filtrant entièrement chargé	Nettoyer le panier du filtre

<i>pompe pas)</i>	<i>(Non-échec)</i>	
<i>Bouger mais ne pas pomper</i>	<i>La turbine se coince</i>	<i>Vérifiez s'il y a trop de débris dans la bague de guidage, affectant la rotation de la turbine. (Veuillez couper l'alimentation avant l'utilisation, pour éviter les blessures causées par la rotation de la turbine)</i>
	<i>Panier filtrant entièrement chargé (Non-échec)</i>	<i>Nettoyer le panier du filtre</i>
	<i>L'arrivée d'eau est bloquée (pas de panne)</i>	<i>Retirez le panier-filtre et nettoyez l'arrivée d'eau</i>
	<i>Batterie faible (pas de panne)</i>	<i>Chargez complètement le robot</i>
<i>Pompage mais pas de mouvement</i>	<i>Le moteur en mouvement se bloque</i>	<i>Veuillez contacter le revendeur pour un remplacement</i>
	<i>La piste est déviée et bloquée (non-défaillance)</i>	<i>Retournez le robot et faites rouler la piste vers l'avant et vers l'arrière pour restaurer la piste</i>
	<i>La piste est endommagée</i>	<i>Remplacer la piste</i>
	<i>Le scrubber reste bloqué (pas de panne)</i>	<i>Nettoyeur à récurer</i>
	<i>Le robot est bloqué par un</i>	<i>Retirez l' obstacle et redémarrez</i>

	<i>obstacle et s'arrête pour se protéger automatiquement (sans panne).</i>	
	<i>Panier filtrant entièrement chargé (Non-échec)</i>	<i>Nettoyer le panier du filtre</i>
<i>Faible capacité de nettoyage</i>	<i>Batterie faible (pas de panne)</i>	<i>Chargez complètement le robot</i>
	<i>La turbine est bloquée</i>	<i>Retirez tous les débris ou cheveux de la bague de guidage</i>
	<i>Panier filtrant entièrement chargé (Non-échec)</i>	<i>Nettoyer le panier du filtre</i>
	<i>Arrivée d'eau bloquée (non-panne)</i>	<i>Retirez le panier-filtre et nettoyez l' arrivée d'eau</i>
	<i>L'épurateur est endommagé</i>	<i>Remplacer l'épurateur</i>
	<i>Le panier-filtre est endommagé</i>	<i>Remplacer le panier-filtre</i>
<i>Insolite sans escale</i>	<i>Panne logicielle</i>	<i>Mettez l'appareil hors tension, puis sous tension</i>
<i>Erreur</i>	<i>a. Panne du disque gauche b. Panne du disque droit</i>	<i>Éteignez puis rallumez l'appareil pour vérifier si l'erreur disparaît. Si ce n'est pas le cas, veuillez contact</i>

	<p>c. Défaillance de la pompe à eau</p> <p>d. Défaillance du capteur infrarouge</p> <p>e. Défaillance du capteur d'eau</p>	<p>er les revendeurs.</p>
--	--	---------------------------

Note:

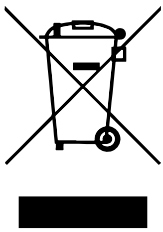
6. N'utilisez pas le robot lorsque des personnes ou des animaux se trouvent dans la piscine.
7. Le chargeur **DOIT ÊTRE DÉBRANCHÉ** avant d'effectuer toute maintenance sur le robot.
8. Contactez le revendeur pour les problèmes non inclus dans le guide de dépannage.
9. Normalement, le robot s'arrête au bord de la piscine lorsqu'il rencontre une panne ou lorsque la batterie est inférieure à 15 %.
10. Si le robot ne fonctionne pas correctement, le voyant du panneau de commande clignote en rouge. Le redémarrage du robot peut supprimer l'avertissement d'erreur et permettre le fonctionnement. Si l'erreur se reproduit, veuillez consulter le guide de dépannage.

Intérieur



Pour alimentation à découpage, utilisation en intérieur uniquement.

Recyclage



Le robot contient une batterie lithium-ion, qui doit être recyclée par des recycleurs de batteries électroniques qualifiés. Le recyclage des batteries et des produits contenant des batteries est bénéfique pour l'environnement et la santé humaine.

NE PAS démonter ni jeter la batterie dans les poubelles ou les poubelles de recyclage municipales.

Section 5 : Garantie et Service Après-Vente

Veillez prendre en note que la garantie prend effet au moment de l'achat. Si l'achat s'effectue une certaine période de temps avant la livraison, la date de livraison doit être prouvée avec la documentation adéquate pour bénéficier de la garantie qui débute ainsi au moment de la prise de possession. Le produit perd sa garantie suite à la première utilisation.

Certaines demandes de garantie ne seront pas approuvées sous aucun prétexte par Moov Pool Products, tel que, mais pas limité à :

- Fonctionnement incorrect de l'appareil en raison du non-respect des instructions.
- Dommage causé au robot à la suite d'une mauvaise utilisation, ou pour tout autre motif que la défaillance du fabricant.
- Réparation ou entretien du robot par un revendeur ou un centre de service non accrédité.
- Dommage causé au joint de la batterie par un centre de service non accrédité.
- Surcharge de la batterie à la suite de l'utilisation d'un adaptateur d'alimentation autre que celui indiqué.
- Dysfonctionnement de la machine à la suite de l'utilisation d'accessoires autres que ceux indiqués.

Toute demande de garantie doit être approuvée par un employé autorisé chez Moov. Pour plus d'information sur les garanties ou pour placer une demande de service, contactez Moov Pool Products.

Moov Pool Products Canada – (450)-328-5858

Moov Pool Products Inc. (USA) - (407)-559-2077

www.moovpool.com/contact

L'usine se garde le dernier droit d'interprétation. Ils se gardent par ailleurs le droit d'arrêter ou changer les spécifications de produit et le design sans notice sans être responsable des obligations subséquentes.

Version: XA-FLR- A1